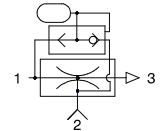
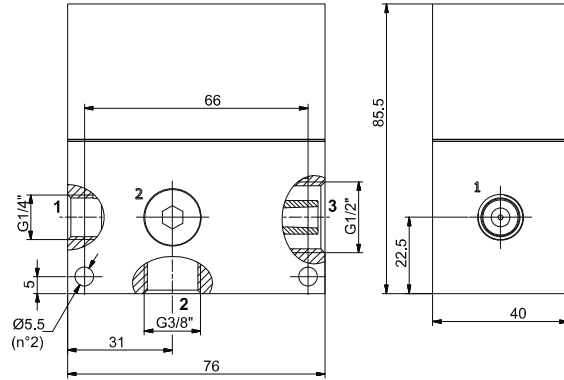


Single stage vacuum generator G3/8"

Ordering code
19M38.S.14.SS.E0

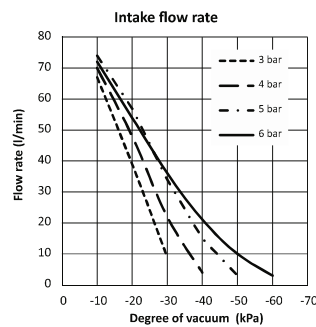
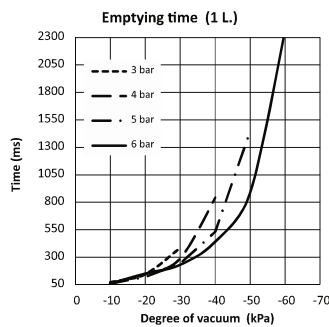
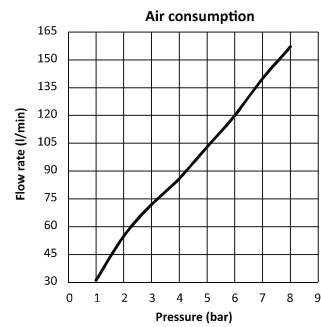
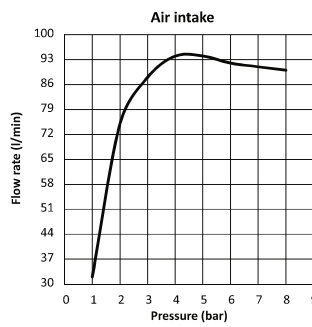
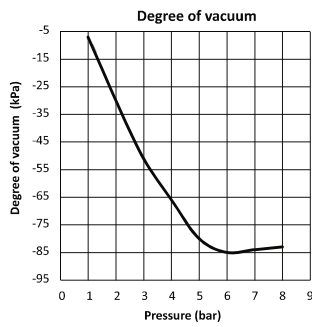


Single-stage generators derived from standard traditional single-stage generators, complete with automatic release system. The pressure supply, in addition to generating the defined vacuum through the Venturi principle, supplies a chamber which serves as a pressure accumulator. When the supply stops, through a non-return valve, the accumulated pressure will be discharged automatically through the vacuum connection, ensuring quick detachment of the gripped piece.

Performance characteristics

- Supply pressure (bar)	2	4	6
- Degree of Vacuum (-kPa)	30	66	85
- Intake flow rate (l/min)	75	94	92
- Air consumption (l/min)	55	86	120

Characteristic curves



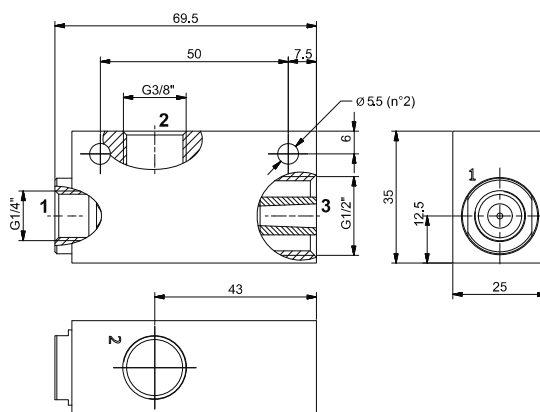
Technical features

Fluid	Unlubricated filtered air
Pressure (bar)	1 ÷ 8
Temperature (°C)	-10 ÷ +80
Weight (g)	480

Single stage vacuum generator G3/8"

Ordering code

19M38.S.15.SS.00

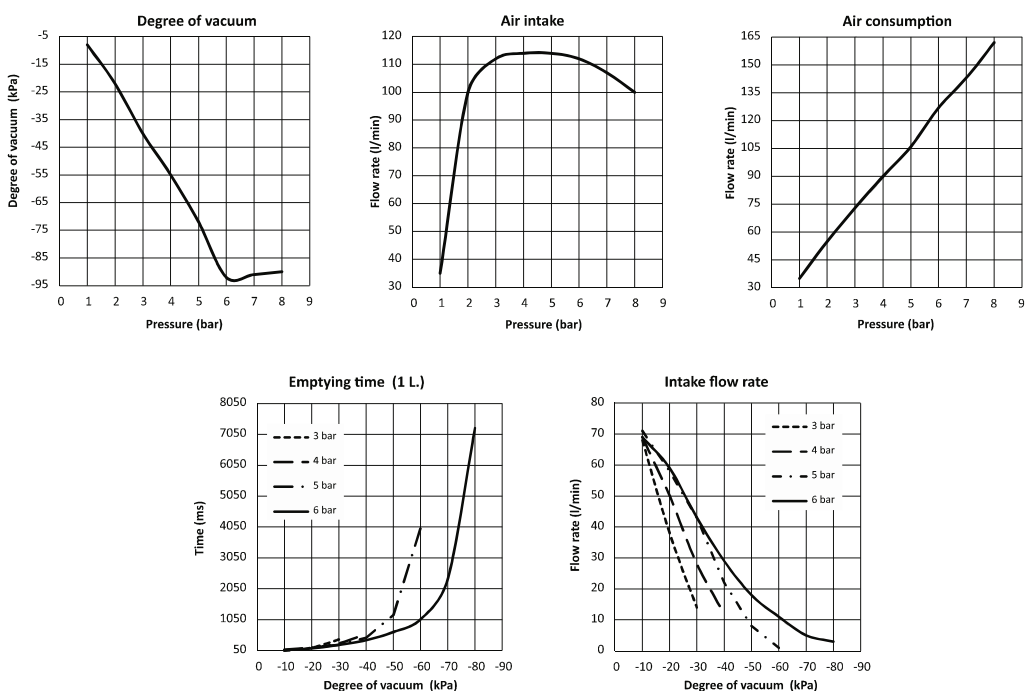


Single-stage generators, robust and reliable, with compact dimensions and suitable for applications which need the required degree of vacuum to be reached quickly with limited air flows. Operating on the Venturi principle, they have the vacuum connection, orthogonal to the axis of supply and outlet. They can be connected directly to the suction cups and/or suction cup holder and applied in any position.

Performance characteristics

- Supply pressure (bar)	2	4	6
- Degree of Vacuum (-kPa)	22	55	92
- Intake flow rate (l/min)	100	114	112
- Air consumption (l/min)	55	90	127

Characteristic curves



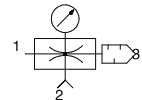
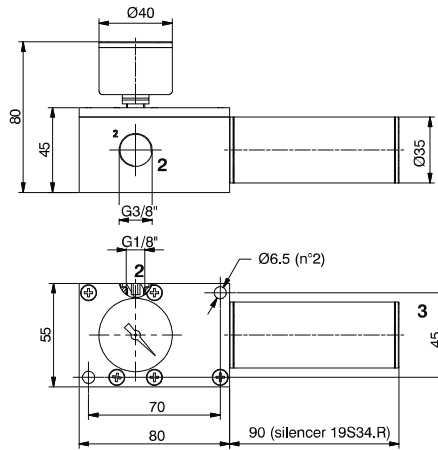
Technical features

Fluid	Unlubricated filtered air
Pressure (bar)	1 ÷ 8
Temperature (°C)	-10 ÷ +80
Weight (g)	122

Single stage vacuum generator G3/8"

Ordering code

19M38.S.18.HV.VS

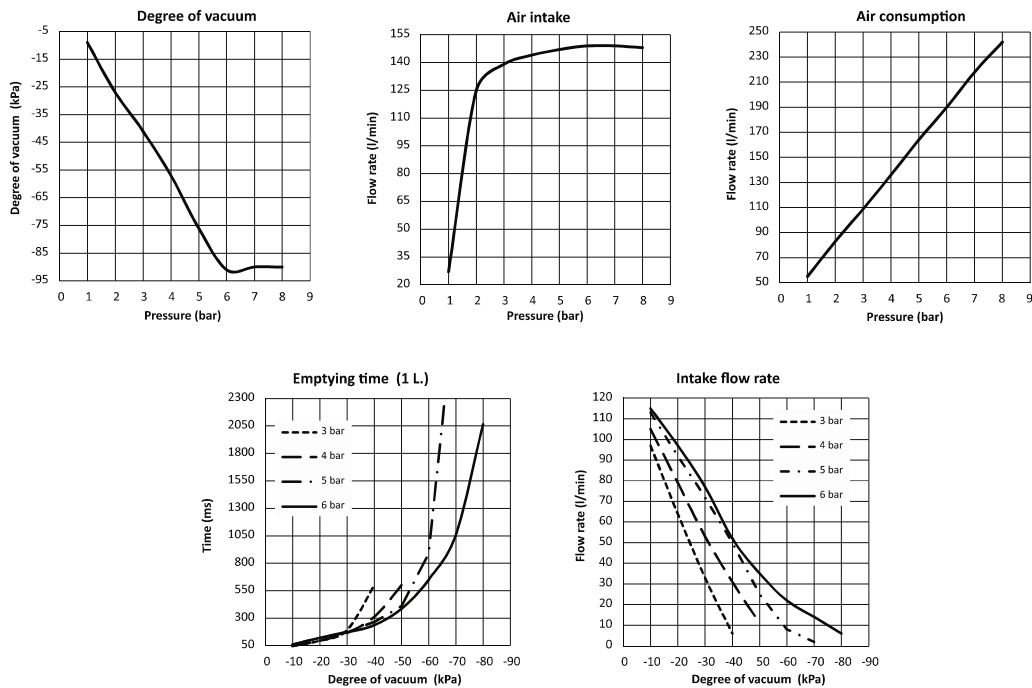


Single-stage generator with high suction capacity due to a pair of nozzles mounted in parallel; they are particularly quiet thanks to a free-flow type silencer, standard-fitted with a vacuum gauge, and allows direct connection with a vacuum switch or alternatively a solenoid valve for quick detachment via direct blowing into the vacuum connection. Suitable for decentralised connection of one or more suction cups.

Performance characteristics

- Supply pressure (bar)	2	4	6
- Degree of Vacuum (-kPa)	27	57	91
- Intake flow rate (l/min)	125	144	149
- Air consumption (l/min)	83	136	190

Characteristic curves



Technical features

Fluid	Unlubricated filtered air
Pressure (bar)	1 ÷ 8
Temperature (°C)	-10 ÷ +80
Weight (g)	450

3