

Vacuum Pumps



Dry-Running Vacuum Pumps EVE-TR

Suction rate from 2.3 m³/h to 244 m³/h



Suitable for Industry Specific Applications



Dry-running vacuum pumps EVE-TR

Applications

- Vacuum pump for making the vacuum available in universal use in a wide range of different applications in the sector of manual and automatic handling
- Handling of airtight workpieces
- Rapid evacuation of vacuum systems
- Mobile use for picking up and clamping workpieces (EVE-TR-T)

Design

- Dry-running vacuum pump, with or without additional filter
- Available in versions for single-phase AC, three-phase AC or DC power supplies
- Pump available as a multi-cell compressor with very little vibration and constant output or as a compact diaphragm pump
- Compact design with integrated cooling fan and permanently lubricated bearings
- Mounting holes with integrated damping elements
- Should preferably be mounted with the motor shaft horizontal
- Coating RAL 7035
- Version EVE-TR-T with carrying handle and control cable

Our Highlights...

- Dry-running (oil-free) vacuum pump
- Multi-cell compression principle of the rotary vane pumps
- Permanently lubricated bearings and powerful cooling fan
- Wide range of models with various outputs
- Dry-running rotary vane pump with excellent efficiency

Your Benefits...

- > Robust and requiring little maintenance
- > Vibration-free operation and continuous output with little pulsation
- > Excellent heat dissipation
- > Suction capacity adaptable to meet customer requirements
- > Low current consumption, economical continuous operation



Designation Code Dry-Running Vacuum Pumps EVE-TR

Abbreviated designation	Pump type	Suction capacity in m ³ /h	Supply voltage	Product addition
Example EVE-TR 40 AC3 F:				
EVE	TR	10	AC3	F
EVE	TR dry-running TR-M diaphragm pump TR-T transportable	2.3 to 250	AC single-phase AC3 three-phase DC direct current	F additional filter

Schmalz - The Company

Vacuum Knowledge

Vacuum Suction Cups

Special Grippers

Vacuum Gripping Systems

Mounting Elements

Vacuum Generators

Valve Technology

Switches and Monitoring

Filters and Connections

Services

Contact

Index of Products

Dry-Running Vacuum Pumps EVE-TR

Suction rate from 2.3 m³/h to 244 m³/h

Ordering Data Dry-Running Vacuum Pumps EVE-TR

Vacuum pump EVE-TR is delivered as a ready to connect product.

Available spare parts: filter insert, set of parts subject to wear

Available accessories: vacuum regulation valve

Dry-Running Vacuum Pumps EVE-TR

Type	Vacuum pump	Vacuum pump with additional filter
EVE-TR-M 2.3 DC 12	10.03.01.00195	-
EVE-TR-M 2.3 DC 24	10.03.01.00192	-
EVE-TR 4 AC	10.03.01.00120	10.03.01.00114
EVE-TR 4 AC3	10.03.01.00111	10.03.01.00113
EVE-TR-T 4 AC	-	10.03.01.00197
EVE-TR 8 AC	10.03.01.00121	10.03.01.00117
EVE-TR 8 AC3	10.03.01.00112	10.03.01.00116
EVE-TR 8 DC	10.03.01.00288	10.03.01.00044
EVE-TR 10 AC	10.03.01.00138	10.03.01.00144
EVE-TR 10 AC3	10.03.01.00137	10.03.01.00143
EVE-TR 16 AC	10.03.01.00140	10.03.01.00146
EVE-TR 16 AC3	10.03.01.00139	10.03.01.00145
EVE-TR 25 AC3	10.03.01.00141	10.03.01.00147
EVE-TR 40 AC3	10.03.01.00142	10.03.01.00148

Type	Vacuum pump (type 1)	Vacuum pump (type 2)	Vacuum pump (type 3)	Vacuum pump with additional filter (type 1)	Vacuum pump with additional filter (type 2)	Vacuum pump with additional filter (type 3)
EVE-TR 80	10.03.01.00249	10.03.01.00250	10.03.01.00251	10.03.01.00252	10.03.01.00253	10.03.01.00254
EVE-TR 100	10.03.01.00255	10.03.01.00256	10.03.01.00257	10.03.01.00258	10.03.01.00259	10.03.01.00260
EVE-TR 140	10.03.01.00261	10.03.01.00262	10.03.01.00263	10.03.01.00264	10.03.01.00265	10.03.01.00266
EVE-TR 250*	-	-	-	10.03.01.00267	10.03.01.00268	10.03.01.00269

*different voltage ranges for type 1

Ordering Data Spare Parts Dry-Running Vacuum Pumps EVE-TR

Type	Set of parts subject to wear	Filter insert for additional filter
EVE-TR-M 2.3	-	-
EVE-TR 4	10.03.01.00108	10.07.01.00013
EVE-TR-T 4	10.03.01.00108	10.07.01.00013
EVE-TR 8	10.03.01.00109	10.07.01.00014
EVE-TR 10	10.03.01.00132	10.07.01.00017
EVE-TR 16	10.03.01.00133	10.07.01.00017
EVE-TR 25	10.03.01.00134	10.07.01.00017
EVE-TR 40	10.03.01.00135	10.07.01.00018
EVE-TR 80	22.09.01.00031	10.07.01.00018
EVE-TR 100	22.09.01.00033	10.07.01.00018
EVE-TR 140	22.09.01.00035	10.07.01.00018
EVE-TR 250	10.03.01.00299	-

Dry-Running Vacuum Pumps EVE-TR

Suction rate from 2.3 m³/h to 244 m³/h

Ordering Data Accessories Dry-Running Vacuum Pumps EVE-TR

Type	Vacuum regulation valve
EVE-TR-M 2.3	-
EVE-TR 4	10.03.01.00107
EVE-TR-T 4	10.03.01.00107
EVE-TR 8	10.03.01.00107
EVE-TR 10	10.03.01.00136
EVE-TR 16	10.03.01.00136
EVE-TR 25	10.03.01.00136
EVE-TR 40	10.03.01.00136
EVE-TR 80	10.03.01.00153
EVE-TR 100	10.03.01.00153
EVE-TR 140	10.03.01.00153
EVE-TR 250	-

Technical Data Dry-Running Vacuum Pumps EVE-TR

Type	Max. vacuum [mbar]	Suction rate at DC [m ³ /h]	Suction rate at 50 Hz [m ³ /h]	Suction rate at 60 Hz [m ³ /h]	Voltage (DC)	Protection IP	Weight [kg]	Noise level at 50 Hz [dB]
EVE-TR-M 2.3 DC 12	-780	2.0	-	-	12V - DC	-	2.4	-
EVE-TR-M 2.3 DC 24	-780	2.0	-	-	24V - DC	-	2.4	-
EVE-TR 4 AC	-850	-	4.1	4.7	-	IP 54	7.0	59
EVE-TR 4 AC3	-850	-	4.1	4.7	-	IP 54	7.0	59
EVE-TR-T 4 AC	-850	-	4.0	4.7	-	IP 54	8.5	59
EVE-TR 8 AC	-850	-	7.6	8.7	-	IP 54	11.5	58
EVE-TR 8 AC3	-850	-	7.6	8.7	-	IP 54	11.5	58
EVE-TR 8 DC	-830	8.0	-	-	24V - DC	IP 54	7.5	70
EVE-TR 10 AC	-850	-	10.0	12.0	-	IP 54	16.0	60
EVE-TR 10 AC3	-850	-	10.0	12.0	-	IP 54	16.0	60
EVE-TR 16 AC	-850	-	16.0	19.0	-	IP 54	22.4	61
EVE-TR 16 AC3	-850	-	16.0	19.0	-	IP 54	22.4	61
EVE-TR 25 AC3	-850	-	25.0	30.0	-	IP 55	26.0	62
EVE-TR 40 AC3	-850	-	40.0	48.0	-	IP 55	38.5	67
EVE-TR 80 AC3	-920	-	67.0	80.0	-	IP 54	69.0	72
EVE-TR 100 AC3	-920	-	98.0	112.0	-	IP 54	101.0	75
EVE-TR 140 AC3	-920	-	129.0	154.0	-	IP 54	111.0	76
EVE-TR 250 AC3	-800	-	244.0	286.0	-	IP 55	250.0	77

*Specifications for 230 V / 230 V or 400 V

Type	Type 1: Europe, China, India	Type 2: USA, Canada	Type 3: Japan, Korea, Brazil
EVE-TR 80	S064/S065/S072 (IE2)	S067/S068 (IE2)	S070/S069/S070 (IE2)
EVE-TR 100	S064/S065/S072 (IE2)	S067/S068 (IE2)	S070/S069/S070 (IE2)
EVE-TR 140	S064/S065/S072 (IE2)	S067/S068 (IE2)	S070/S069/S070 (IE2)
EVE-TR 250*	S001/S071/S001 (IE2)	S067/S068 (IE2)	S070/S069/S070 (IE2)

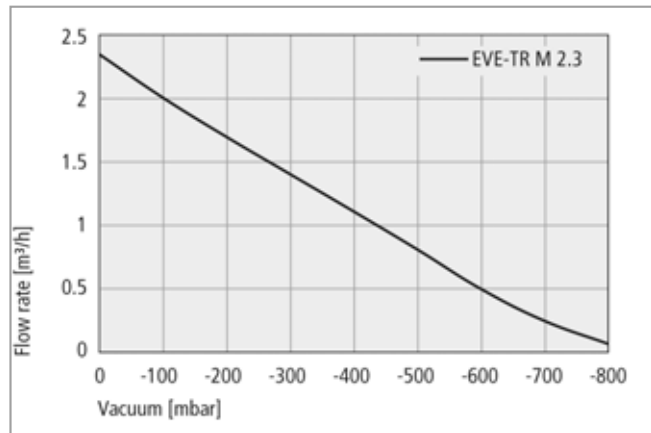
*different voltage ranges for type 1

Type	Type 1: Europe, China, India	Type 2: USA, Canada	Type 3: Japan, Korea, Brazil
50Hz with IE2	230V / Y400V (+/-10%)	-	220V / Y380-400V (+/-10%)
50Hz without IE2	-	-	200V / Y350V (+/-10%)
60Hz with IE2	265V / Y460V (+/-10%)	YY230V / Y460V (+/-10%)	-
60Hz without IE2	230V / Y400V (+/-10%)	YY208V (+/-10%)	200V / Y350V (+/-10%)

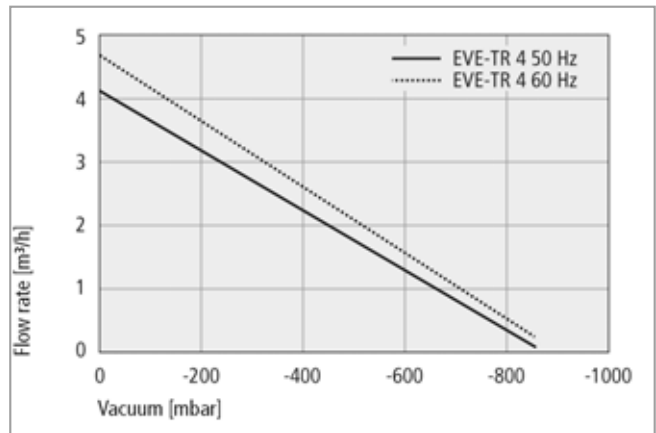
Dry-Running Vacuum Pumps EVE-TR

Suction rate from 2.3 m³/h to 244 m³/h

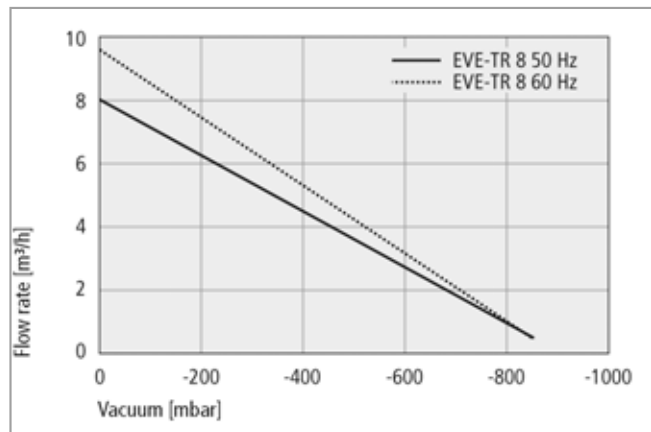
Performance Data Dry-Running Vacuum Pumps EVE-TR



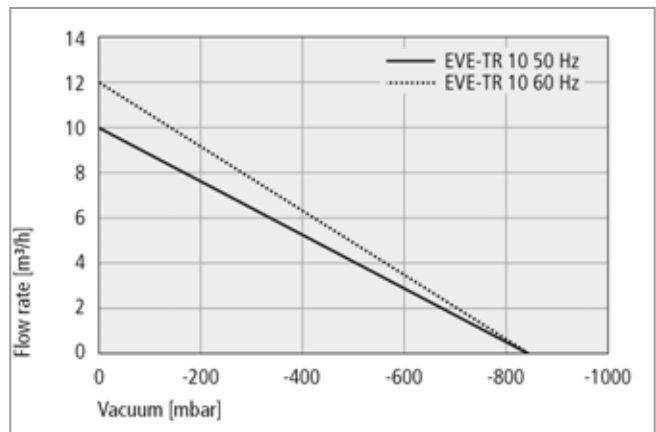
Suction capacity at various degrees of evacuation



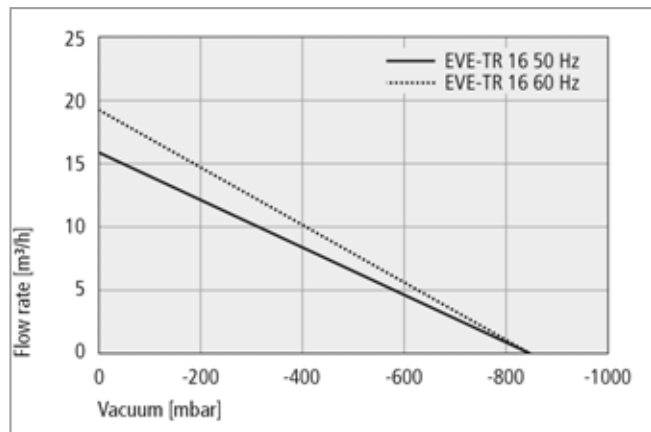
Suction capacity at various degrees of evacuation



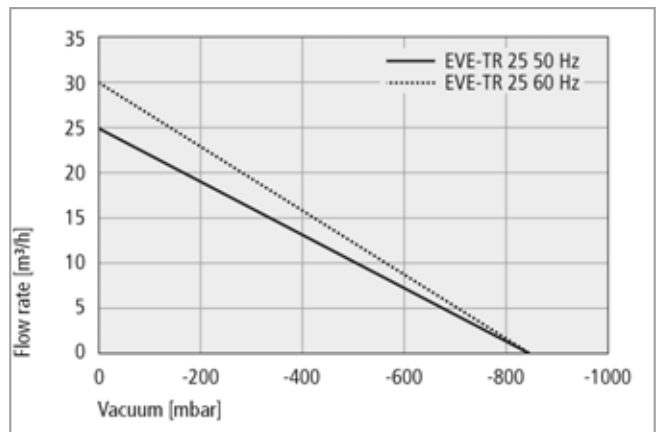
Suction capacity at various degrees of evacuation



Suction capacity at various degrees of evacuation



Suction capacity at various degrees of evacuation



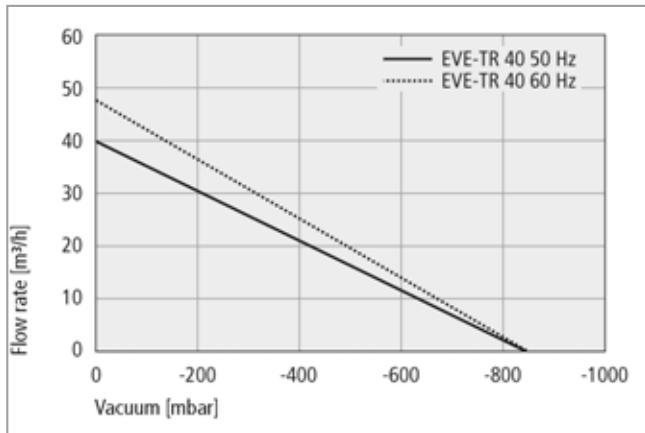
Suction capacity at various degrees of evacuation

Vacuum Pumps

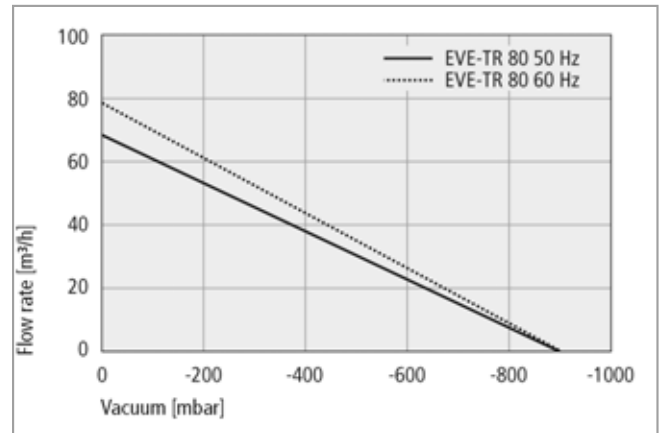


Dry-Running Vacuum Pumps EVE-TR

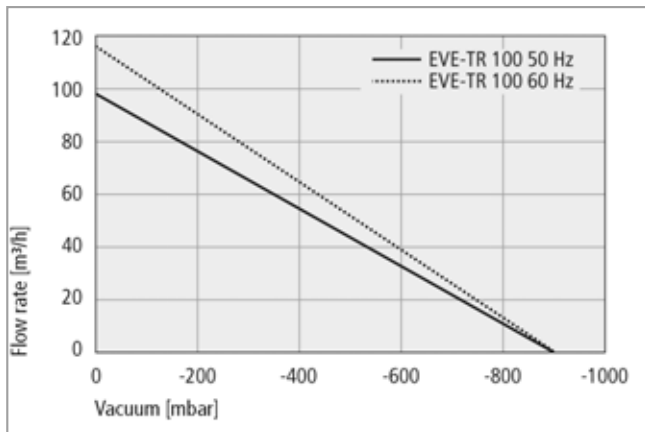
Suction rate from 2.3 m³/h to 244 m³/h



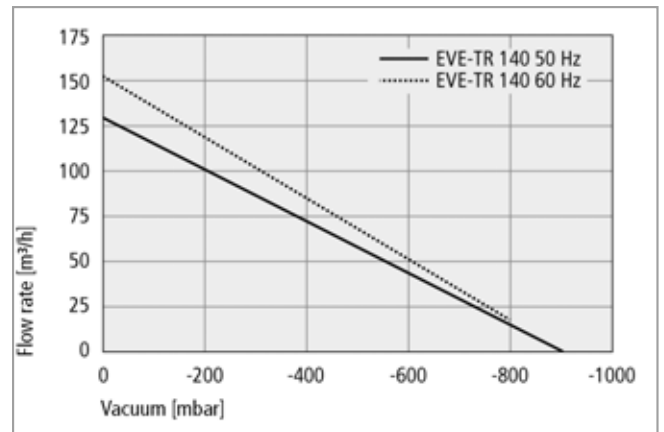
Suction capacity at various degrees of evacuation



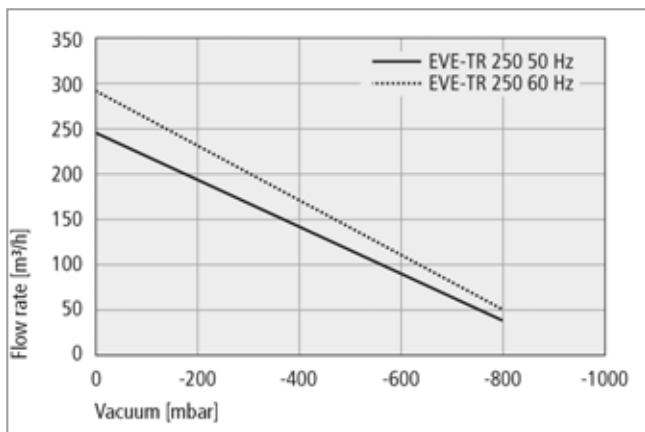
Suction capacity at various degrees of evacuation



Suction capacity at various degrees of evacuation



Suction capacity at various degrees of evacuation



Suction capacity at various degrees of evacuation

- Schmalz - The Company
- Vacuum Knowledge
- Vacuum Suction Cups
- Special Grippers
- Vacuum Gripping Systems
- Mounting Elements
- Vacuum Generators**
- Valve Technology
- Switches and Monitoring
- Filters and Connections
- Services
- Contact
- Index of Products

Vacuum Pumps

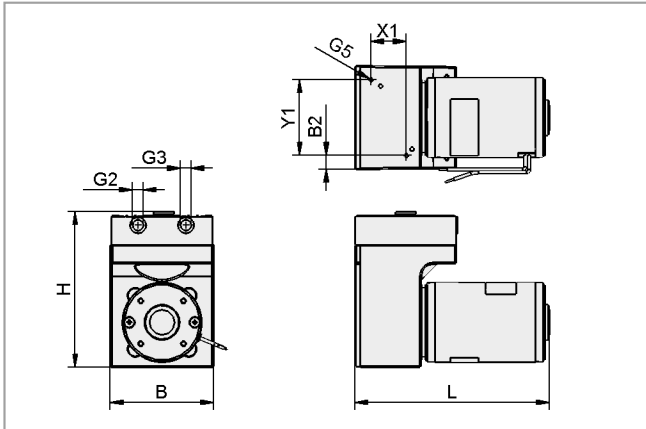


Dry-Running Vacuum Pumps EVE-TR

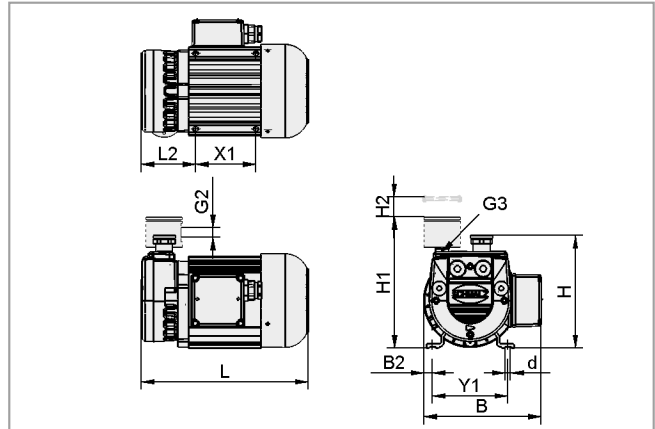
Suction rate from 2.3 m³/h to 244 m³/h



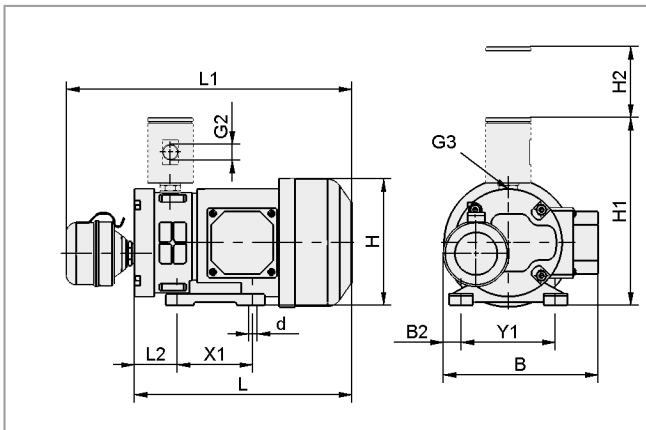
Design Data Dry-Running Vacuum Pumps EVE-TR



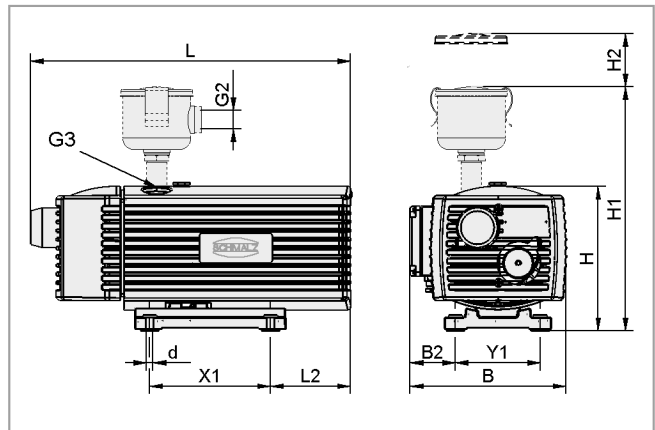
EVE-TR-M 2.3



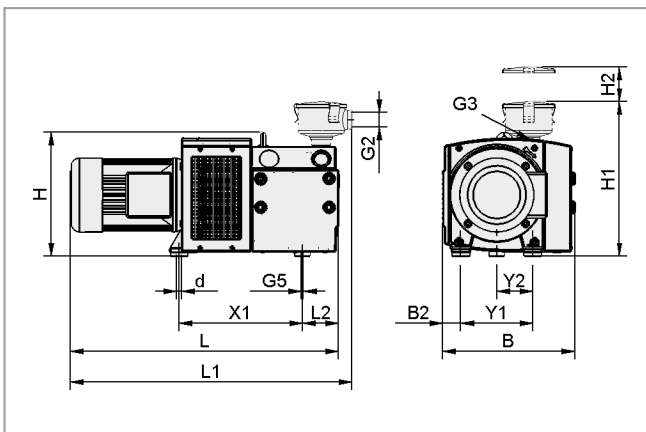
EVE-TR 4/8 ... (F)



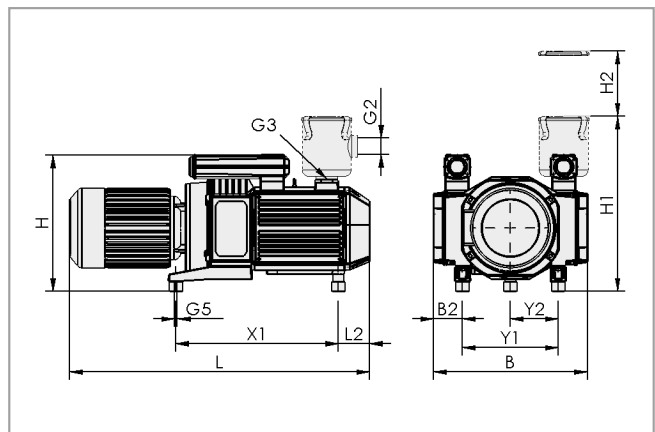
EVE-TR 8 DC (F)



EVE-TR 10 to 40 (F)



EVE-TR 80 to 140 (F)



EVE-TR 250

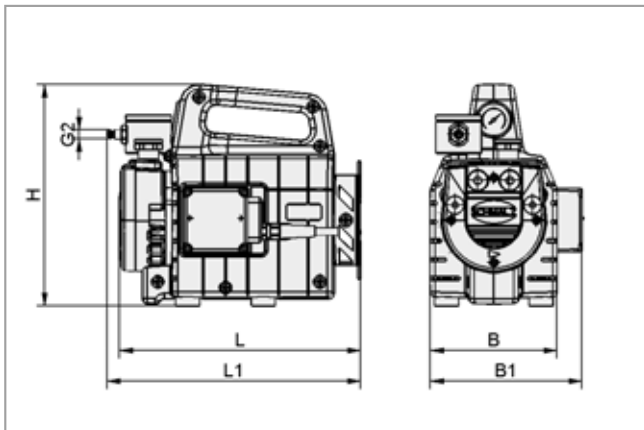
- Schmalz - The Company
- Vacuum Knowledge
- Vacuum Suction Cups
- Special Grippers
- Vacuum Gripping Systems
- Mounting Elements
- Vacuum Generators
- Valve Technology
- Switches and Monitoring
- Filters and Connections
- Services
- Contact
- Index of Products

Vacuum Pumps



Dry-Running Vacuum Pumps EVE-TR

Suction rate from 2.3 m³/h to 244 m³/h



EVE-TR-T



Design Data Dry-Running Vacuum Pumps EVE-TR

Type	Dimensions in mm																
	B	B1	B2	d	G2	G3	G5	H	H1	H2	L	L1	L2	X1	Y1	Y2	
EVE-TR-M 2.3 ...	82	-	11.0	-	G1/8"-F	G1/8"-F	M4-F	123	-	-	154	-	-	28	60	-	
EVE-TR 4 ...	155	-	-	7	-	G1/4-F	-	148	-	-	222	-	-	80	100	-	
EVE-TR 4 ... F	155	-	11.5	7	G1/4-F	G1/4-F	-	148	172	41	222	-	72	80	100	-	
EVE-TR-T 4 ... F	134	160.5	-	-	G1/4"-M	-	-	235	-	-	255	269	-	-	-	-	
EVE-TR 8 ...	155	-	11.5	7	-	G3/8-F	-	172	-	-	251	-	80	80	100	-	
EVE-TR 8 ... F	155	-	11.5	7	G3/8-F	G3/8-F	-	154	201	62	251	-	80	80	100	-	
EVE-TR 8 DC	-	-	-	-	-	-	-	-	-	-	-	-	-	-	-	-	
EVE-TR 8 DC F	163	-	18.5	9	G3/8-F	G3/8-F	-	134	197	55	230	302	46	80	100	-	
EVE-TR 10 ...	206	-	60.0	7	-	G1/2-F	-	195	-	-	429	-	106	160	112	-	
EVE-TR 10 ... F	206	-	60.0	7	G3/4-F	G1/2-F	-	198	325	70	429	-	106	160	112	-	
EVE-TR 16 ...	231	-	66.0	7	-	G1/2-F	-	211	-	-	452	-	73	202	125	-	
EVE-TR 16 ... F	231	-	66.0	7	G3/4-F	G1/2-F	-	214	345	70	452	-	73	202	125	-	
EVE-TR 25 ...	260	-	40.0	7	-	G3/4-F	-	290	-	-	505	-	96	220	190	-	
EVE-TR 25 ... F	260	-	40.0	7	G3/4"-F	G3/4"-F	-	293	380	70	505	-	96	220	208	-	
EVE-TR 40 ...	280	-	51.0	7	-	G3/4"-F	-	290	-	-	572	-	131	220	190	-	
EVE-TR 40 ... F	280	-	51.0	7	G1-1/4"-F	G3/4"-F	-	293	425	70	572	-	131	220	190	-	
EVE-TR 80 ...	353	-	48.0	12	-	G1-F	M8-F	328	-	-	709	-	96	326	190	95	
EVE-TR 80 ... F	353	-	48.0	12	G1-1/4-F	G1-F	M8-F	328	420	75	709	745	96	326	190	95	
EVE-TR 100 ...	470	-	110.0	12	-	G1-1/2-F	M8-F	336	-	-	835	-	140	398	245	123	
EVE-TR 100 ... F	470	-	110.0	12	G1-1/4-F	G1-1/2-F	M8-F	336	466	75	835	890	140	398	245	123	
EVE-TR 140 ...	470	-	110.0	12	-	G1-1/2-F	M8-F	336	-	-	873	-	140	398	245	123	
EVE-TR 140 ... F	470	-	110.0	12	G1-1/4-F	G1-1/2-F	M8-F	336	437	75	873	851	140	398	245	123	
EVE-TR 250 ...	644	-	126.0	-	-	G2-1/2"-F	M10-F	527	-	-	1192	-	124	645	360	180	
EVE-TR 250 ... F	644	-	126.0	-	-	G2-1/2"-F	M10-F	527	-	-	1192	-	124	645	360	180	

Schmalz - The Company
 Vacuum Knowledge
 Vacuum Suction Cups
 Special Grippers
 Vacuum Gripping Systems
 Mounting Elements
Vacuum Generators
 Valve Technology
 Switches and Monitoring
 Filters and Connections
 Services
 Contact
 Index of Products